

Controls & Features

2WD/4WD Select Switch

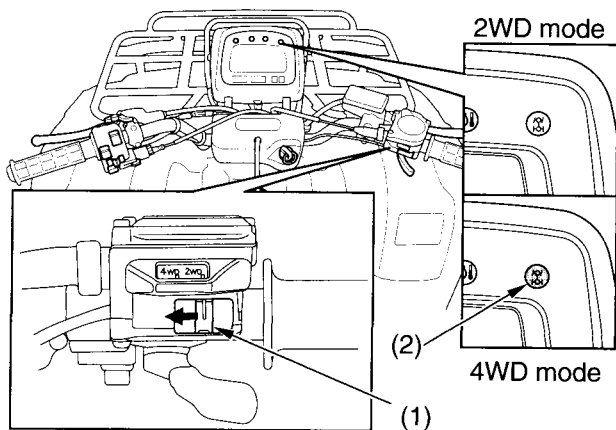
Your ATV is equipped with a 2WD/4WD select switch, which permits a choice between the “2WD” and “4WD” drive modes. Select a drive mode that’s suitable for your riding.

The 2WD/4WD select switch (1) is located above the throttle lever. To select the drive mode, slide the 2WD/4WD select switch to the desired position.

To check your present drive mode, look at the 4WD indicator (2).

2WD mode : the 4WD indicator is off.

4WD mode : the 4WD indicator is on.



(1) 2WD/4WD select switch

(2) 4WD indicator