

Engine Oil & Filter

Checking & Adding Oil

Refer to *Safety Precautions* on page 87 .

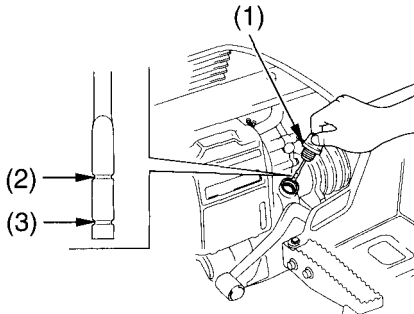
Check the engine oil level each day before operating your ATV and add if needed.

1. Park your ATV on a firm, level surface.
2. Start the engine in a well-ventilated area and let it idle for 3 – 5 minutes. Stop the engine and wait 2 – 3 minutes.
3. Remove the oil filler cap/dipstick (1) from the rear crankcase cover and wipe it clean.
4. Insert the dipstick without screwing it in, then remove the dipstick and check the oil level. The oil level should be between the upper level mark (2) and the lower level mark (3) on the dipstick.
5. If required, add the specified oil into the filler cap hole, up to the upper level mark on the dipstick. Do not overfill.
6. Reinstall the oil filler cap and dipstick.

NOTICE

Running the engine with improper oil level can cause serious engine damage.

LEFT SIDE



(1) oil filler cap/dipstick

(2) upper level mark

(3) lower level mark