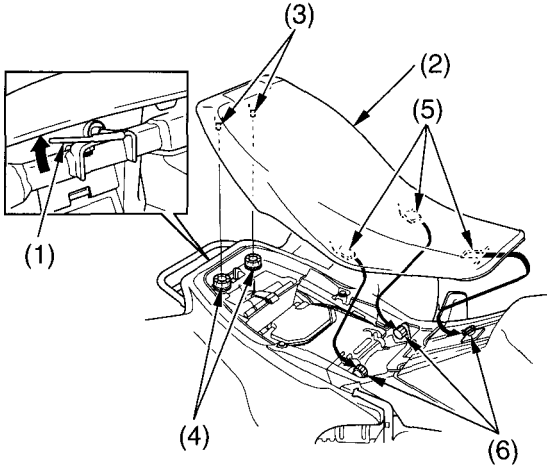


Seat Removal

Refer to *Safety Precautions* on page 71 .

The seat must be removed for the air cleaner maintenance, and access to the tool kit and owner's manual.



- (1) seat lock lever
- (2) seat
- (3) studs

- (4) grommets
- (5) front prongs
- (6) hooks

Removal

1. Pull up the seat lock lever (1) below the rear end of the seat.
2. Pull the seat (2) up from the rear to remove the studs (3) from the grommets (4).
3. Slide the seat back and up.

Installation

1. Insert the front prongs (5) into the hooks (6) on the frame and press the studs into the grommets.
2. Press down on the seat until it locks.