

# Brakes

---

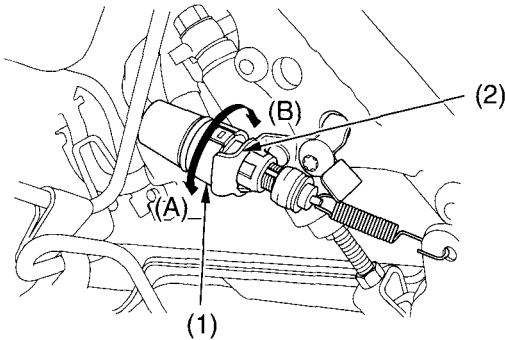
## Stoplight Switch Adjustment

Refer to *Safety Precautions* on page 71 .

### Rear Brake Only:

Check the operation of the rear stoplight switch (1) at the right side behind the engine from time to time. Remove the right side mudguard (see page 133 ). Adjustment is done by turning the adjusting nut (2). Turn the nut in direction (A) if the switch operates too late and in direction (B) if the switch operates too soon.

### RIGHT SIDE



(1) stoplight switch

(2) adjusting nut