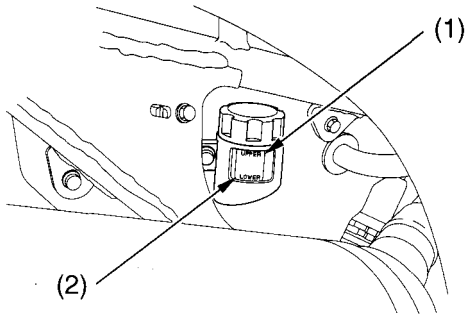


With the ATV in an upright position, check the fluid level. It should be above the LOWER level mark (2). If the level is at or below the LOWER level mark, check the brake pads for wear (page 131).

Worn brake pads should be replaced. If the pads are not worn, have your brake system inspected for leaks.

## Rear Brake Fluid Level

### RIGHT SIDE



(1) UPPER level mark

(2) LOWER level mark

With the ATV in an upright position, check the fluid level. It should be between the UPPER (1) and LOWER (2) level mark. If the level is at or below the LOWER level mark, check the brake pads for wear (page 131).

Worn brake pads should be replaced. If the pads are not worn, have your brake system inspected for leaks.