

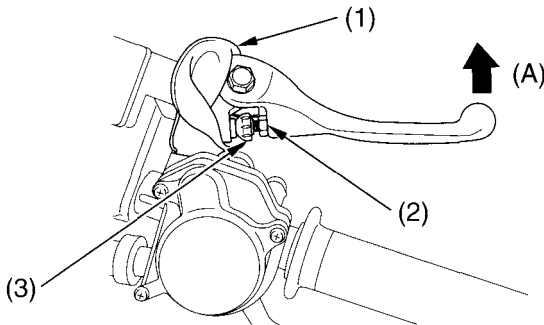
Brakes

Front Brake Lever Adjuster

Refer to *Safety Precautions* on page 71 .

The distance between the tip of the front brake lever and the grip can be adjusted.

RIGHT HANDLEBAR



(1) handle lever cover
(2) lock nut

(3) adjust bolt

1. Pull back the handle lever cover (1).
2. Loosen the lock nut (2), push the front brake lever forward (A), and turn the adjust bolt (3).
3. Apply the brake, release it, then spin the wheel and check that it rotates freely. Repeat this procedure several times.
4. Fasten the lock nut.