

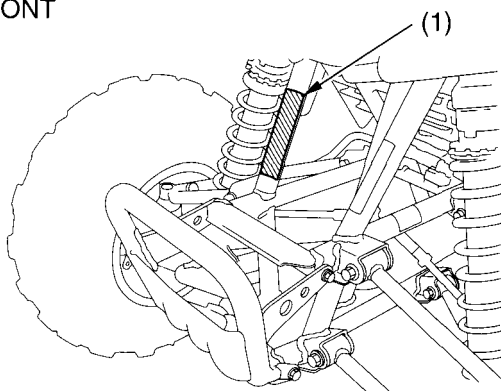
Emission Control Systems

Exhaust Emission Requirements

The California Air Resources Board (CARB) requires that your ATV comply with applicable exhaust emissions standards during its useful life, when operated and maintained according to the instructions provided.

The Vehicle Emission Control Information Label (1) is attached on the right side of the frame.

RIGHT FRONT



(1) vehicle emission control information label