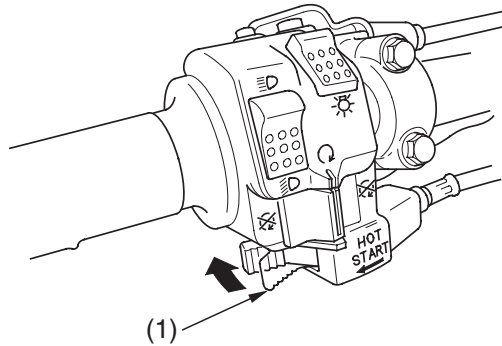




Controls & Features

Hot Start Lever (TRX450R only)

LEFT HANDLEBAR



(1) hot start lever



The hot start lever (1) may be used when starting a warm engine. See page 53.

