

TOOL KIT

A tool kit (Fig. 4-1) is provided with your FOURTRAX and stored in the storage compartment below the rear cargo rack.

The tools in the kit are sufficient to perform routine maintenance and simple repairs. Any extensive work requiring additional tools should be performed by your authorized Honda dealer.

The tool kit includes the following items:

- * Standard/Phillips screwdriver
- * Screwdriver handle
- * 10 × 12 mm open end wrench
- * 14 × 17 mm open end wrench
- * Spark plug wrench and handlebar
- * Pliers
- * Tool case

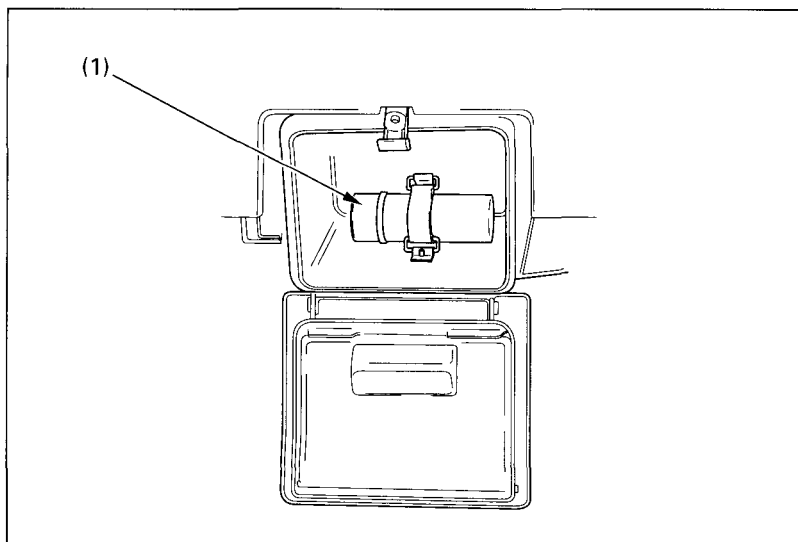


Fig. 4-1

(1) Tool kit

While reading this manual, remember:

▲WARNING

Indicates a strong possibility that serious injury or death may result if instructions are not followed.