

## Adjusting Idle Speed

### NOTE:

Do not try to compensate for faults in other systems by adjusting the carburetor.

Before adjusting the idle speed and air-fuel mixture, unsnap the right side cover. (Fig. 4-10 )

### To adjust the idle speed:

1. Warm up the engine. The engine must be warm for accurate idle adjustment. Ten minutes of stop-and-go riding is sufficient.
2. Put on gloves before beginning the adjustment procedure.
3. Adjust idle speed by turning the throttle stop screw (Fig. 4-10 ).

Idle Speed:

1,400 ± 100 rpm

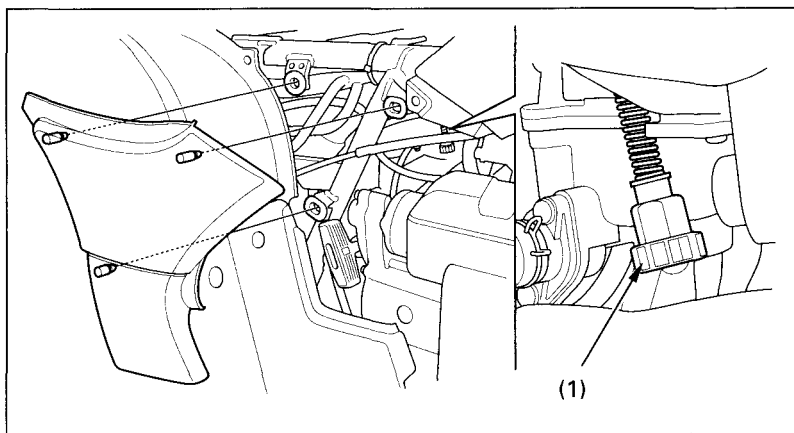


Fig. 4-10 (1) Throttle stop screw