

Battery Removal

1. Make sure the ignition switch is OFF (\circ).
2. Remove the seat (page 155).
3. Remove the rear fender lid (1) (Fig. 4-21).
4. Release the rings and remove the rubber band (2). (Fig. 4-22)
5. Disconnect the negative (-) terminal lead (3) from the battery (4) first, then disconnect the positive (+) terminal lead (5).
6. Remove the battery.
 - * Install in the reverse order of removal.
 - * Check all bolts and other fasteners are secure.
 - * After installing the battery, check to see if the battery cables are routed correctly.

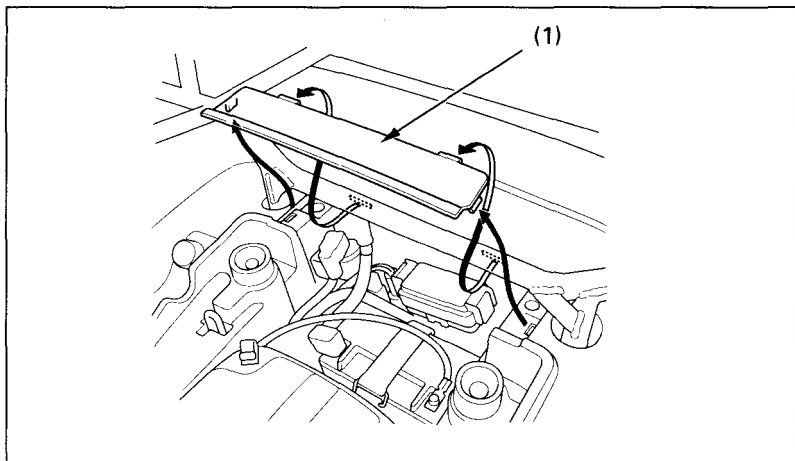


Fig. 4-21 (1) Rear fender lid