

## Storage Compartment

The storage compartment (1) (Fig. 2-35) is below the rear cargo rack (2). To open the compartment, unhook the rubber strap (3). The storage box (4) is stored in the storage compartment (1). The storage box is including the owner's manual (5) and tool kit (6) (including the air pressure gauge). The storage box should be stored in the storage compartment.

Be careful not to flood this area when washing your FOURTRAX or riding through water.

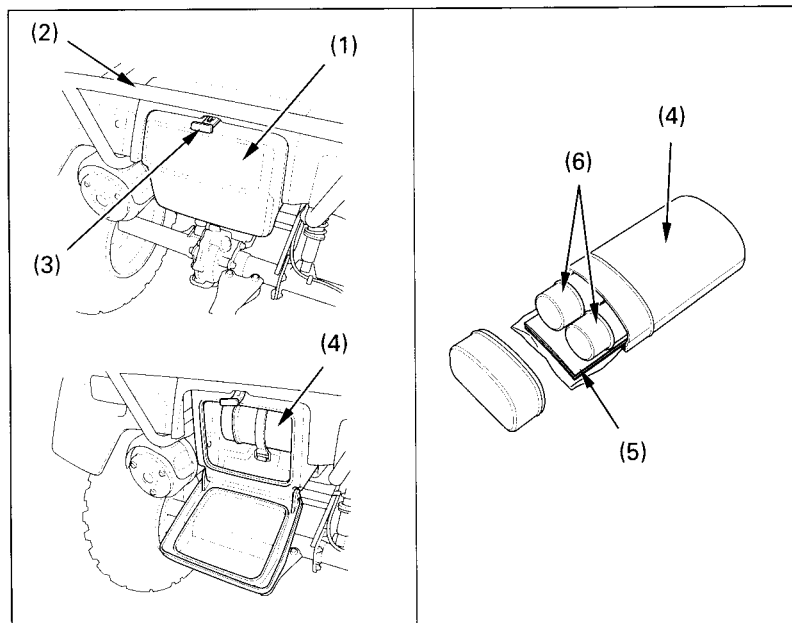


Fig. 2-35 (1) Storage compartment  
(2) Rear cargo rack  
(3) Rubber strap

(4) Storage box  
(5) Owner's manual  
(6) Tool kit