

5. To remove the oil filter, remove the front engine guard (3) by removing the mount bolts (4) and washers (5).
6. Remove the oil filter bolt (6) and oil filter cover (7) (Fig. 4-15). Let the remaining oil drain out.
7. Remove the oil filter (8) from the cover. Discard the oil filter.
8. Check the O-rings (9) are in good condition and then insert a new oil filter to the oil filter cover. Use only the Honda genuine oil filter or a filter of equivalent quality specified for your model. Using the wrong Honda filter or a non-Honda filter which is not of equivalent quality may cause engine damage.
9. Install the oil filter cover and tighten the oil filter bolt. Make sure the oil filter bolt is tightened securely.
Oil filter bolt torque:
18 N·m (1.8 kgf·m , 13 lbf·ft)

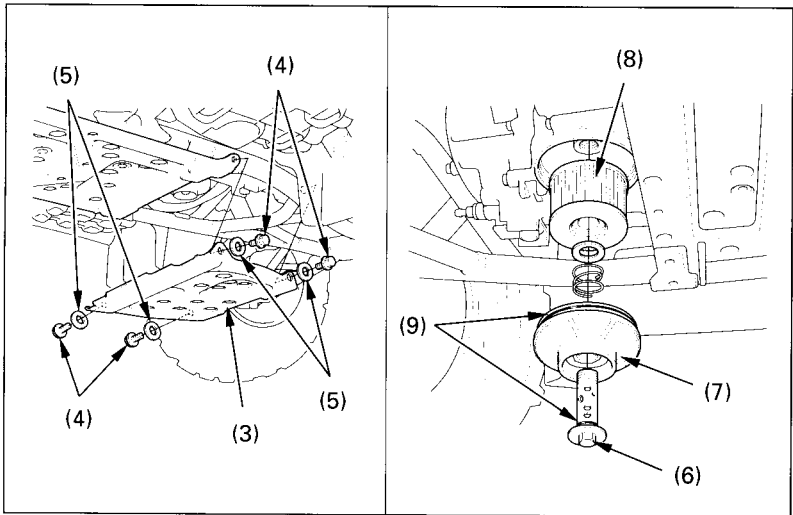


Fig. 4-15 (3) Engine guard
(4) Bolts
(5) Washers

(6) Oil filter bolt
(7) Oil filter cover
(8) Oil filter
(9) O-rings

CAUTION:

Improper installation of the oil filter can cause serious engine damage.