

SPARK ARRESTER

The exhaust system must be periodically purged of accumulated carbon.

To purge the system:

1. Allow the engine and muffler to cool.
2. Remove the three bolts (2), the spark arrester (1), and the gasket (3) from the muffler (4).

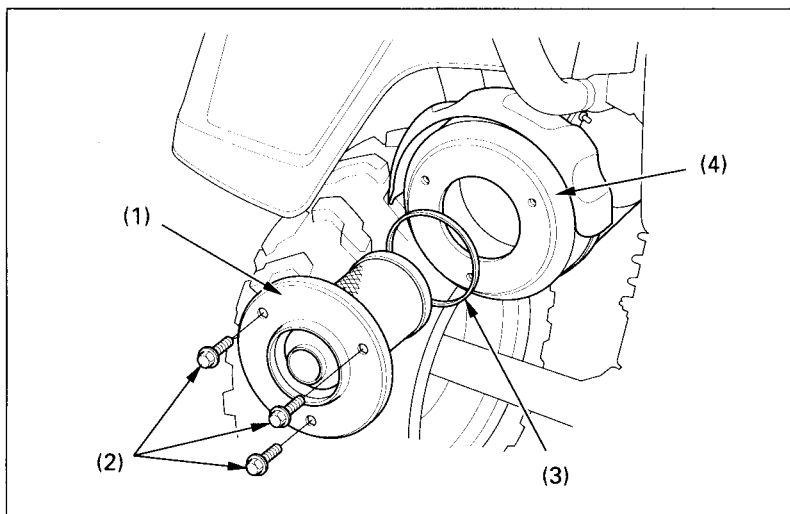


Fig. 4-41 (1) Spark arrester
(2) Bolts

(3) Gasket
(4) Muffler