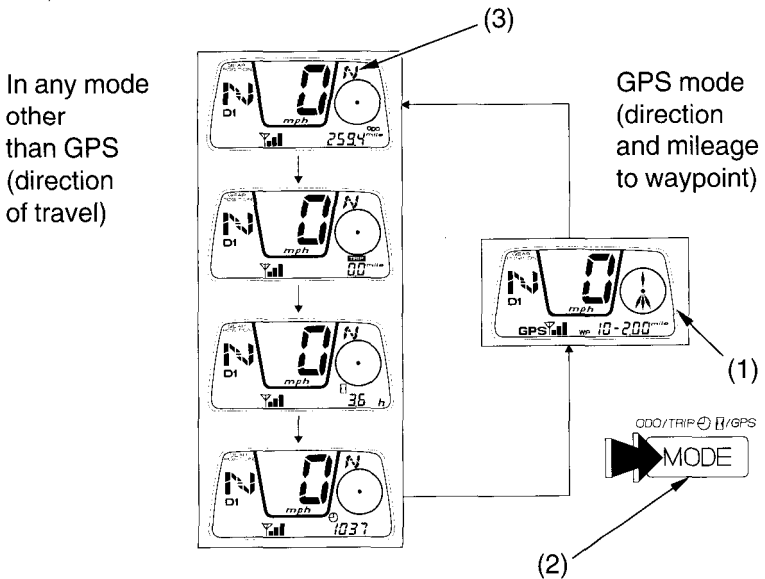


GPS Mode

The GPS mode (1) shows the shortest distance to your selected waypoint. And, when your ATV is moving (one mph or faster), the GPS mode also displays an electronic arrow to indicate the direction to the selected waypoint.

Push the mode select button (2) to switch between the GPS mode and the other four modes: odometer, tripmeter, hourmeter, and digital clock.

Any time you are not in the GPS mode, the compass direction indicator (3) will function while your ATV is moving (one mph or faster) (page 68).



(1) GPS mode

(2) mode select button

(3) compass direction indicator