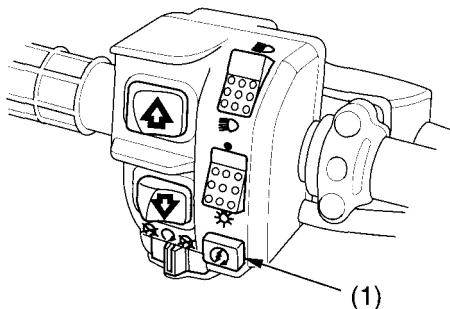


Starting & Stopping the Engine

High Air Temperature 35°C (95°F) or above

LEFT HANDLEBAR



(1) start button

1. Do not use the choke.
2. With the throttle slightly open, press the starter button (1).

Low Air Temperature 10°C (50°F) or below

Follow the procedure for “*Normal Air Temperature.*”

When air temperature is below -15°C (5°F), push the starting primer knob two or three times (page 34).

NOTICE

Extended use of the choke may impair piston and cylinder wall lubrication and shorten the life of the engine.

Do not race the engine during the warm-up period.
Racing a cold engine wastes fuel and increases engine wear.