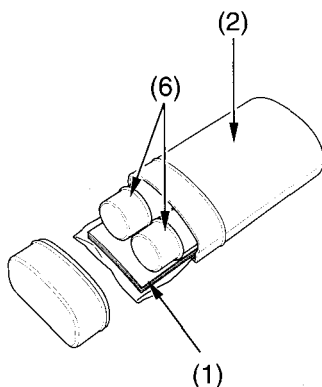
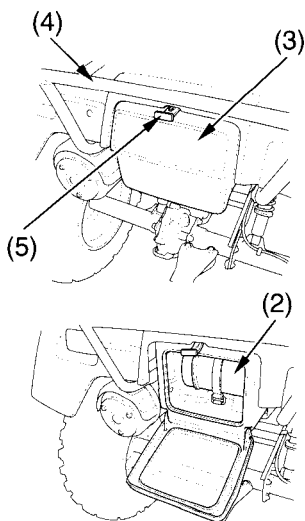


Owner's Manual Storage

Your ATV provides storage for the owner's manual so you'll have it with you for easy reference. Store your owner's manual (1) in the storage box (2) in the storage compartment (3) below the rear cargo rack (4).

To open the compartment, unhook the rubber strap (5). The owner's manual and tool kit (6) should be stored in the storage box in the storage compartment.

Be careful not to flood this area when washing your ATV.



- (1) owner's manual
- (2) storage box
- (3) storage compartment

- (4) rear cargo rack
- (5) rubber strap
- (6) tool kit