

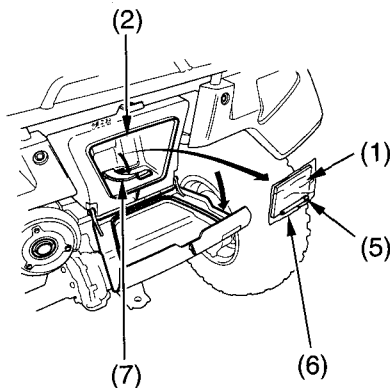
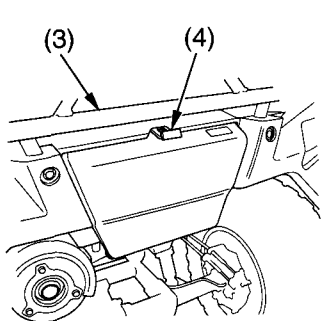
Owner's Manual Storage

Your ATV provides storage for the owner's manual so you'll have it with you for easy reference. Store your owner's manual (1) in the storage compartment (2) below the rear cargo rack (3).

To open the compartment, unhook the rubber strap (4). The owner's manual and air pressure gauge (5) should be stored in the plastic bag (6) and fastened with the rubber band (7).

Be careful not to flood this area when washing your ATV.

REAR



- (1) owner's manual
- (2) storage compartment
- (3) rear cargo rack

- (4) rubber strap
- (5) air pressure gauge
- (6) plastic bag
- (7) rubber band