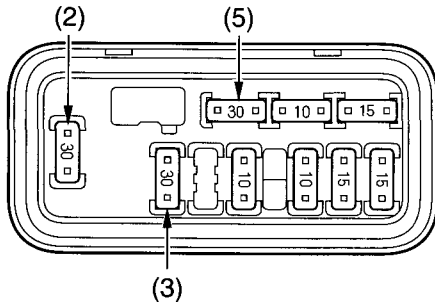
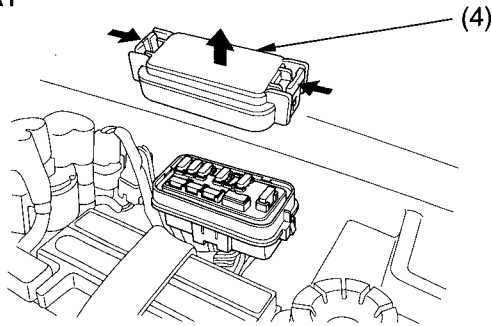


# If a Fuse Blows

## Main Fuse Access

1. To prevent an accidental short circuit, turn the ignition switch OFF ( O ) before checking or replacing the fuses.
2. Remove the seat (page 110).
3. To access the main fuse (2) and shift motor fuse (3), remove the fuse box cover (4).

## UNDER SEAT



(2) main fuse

(3) shift motor fuse

(4) fuse box cover

(5) spare main fuse

4. Pull the main fuse out.

If it is blown, install the spare main fuse (5).