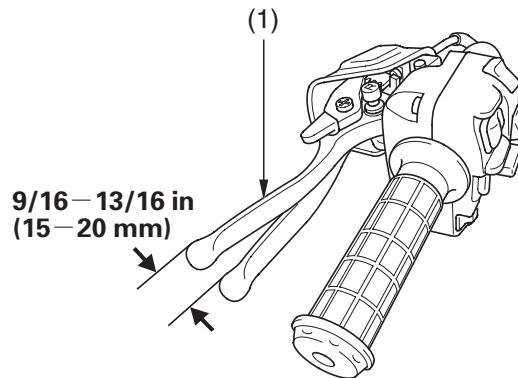




## Brakes

### Rear Brake Lever Freeplay

LEFT HANDLEBAR



(1) rear brake lever/parking brake lever

#### Inspection

Measure the distance the rear brake lever/parking brake lever (1) moves before the brake starts to take hold. Freeplay (measurement at the tip of the end of the brake lever) should be:

**9/16 – 13/16 in (15 – 20 mm)**

If necessary, adjust to the specified range.