

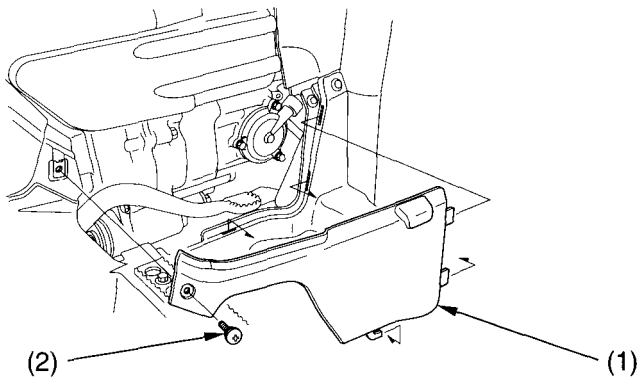
# Engine Oil & Filter

---

*Install a New Engine Oil Filter:*

1. Remove the right engine sub cover (1) by removing the screw (2).

RIGHT SIDE



- (1) right engine sub cover  
(2) screw