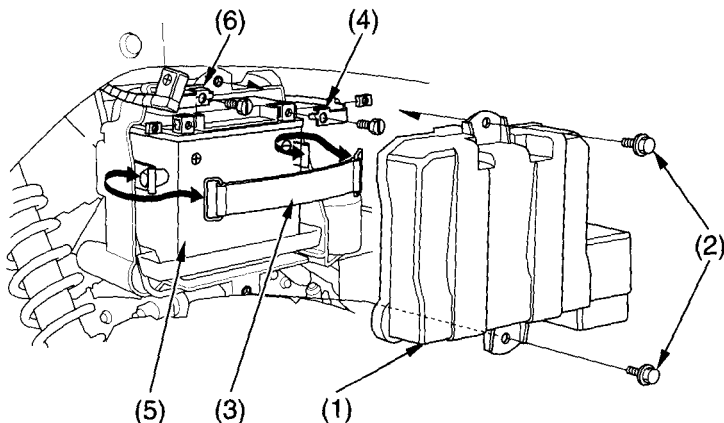


# Battery

---

The battery is located under the rear fender.

## UNDER SEAT



(1) battery cover

(2) bolts

(3) rubber band

(4) negative (-) terminal lead

(5) battery

(6) positive (+) terminal lead

1. Make sure the ignition switch is OFF (  $\circ$  ).
2. Remove the battery cover ( 1 ) by removing the bolts ( 2 ).
3. Release the rings and remove the rubber band ( 3 ).
4. Disconnect the negative ( - ) terminal lead ( 4 ) from the battery ( 5 ) first, then disconnect the positive ( + ) terminal lead ( 6 ).