

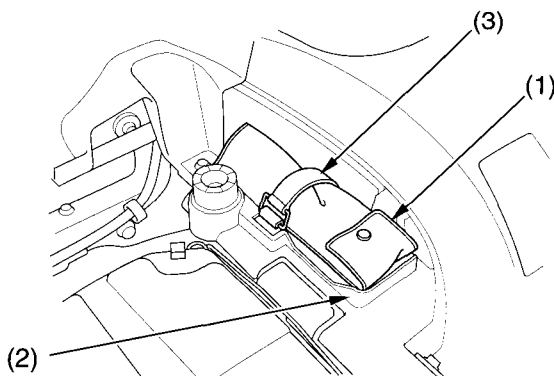
Tool Kit

The tool kit (1) is stored in the tool kit compartment (2) under the seat. After using the tools, be sure to use the rubber band (3) to fasten the tool kit securely.

The tools in the kit are sufficient to perform routine maintenance and simple repairs. Any extensive work requiring additional tools should be performed by your Honda dealer.

The tool kit includes the following items:

- * standard/phillips screwdriver
- * screwdriver handle
- * 10 × 12 mm open end wrench
- * 14 mm box end wrench
- * 17 mm box end wrench
- * spark plug wrench and handlebar
- * pliers
- * tool bag



(1) tool kit

(2) tool kit compartment

(3) rubber band