

# Engine Oil & Filter

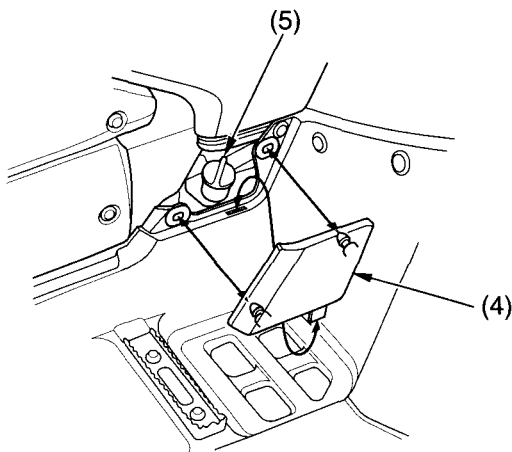
---

5. If required, remove the oil filler cap lid (4 ) and oil filler cap (5 ) and add the specified oil into the filler cap hole, up to the upper level mark on the dipstick. Do not overfill.
6. Reinstall the oil filler cap, oil filler cap lid and dipstick.

## NOTICE

*Running the engine with an improper oil level can cause serious engine damage.*

### LEFT SIDE



(4) oil filler cap lid

(5) oil filler cap