

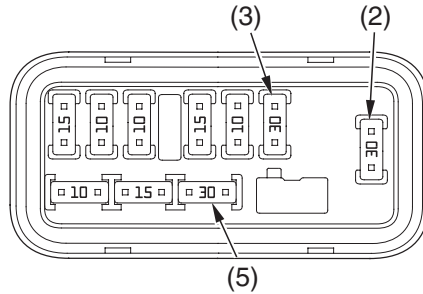
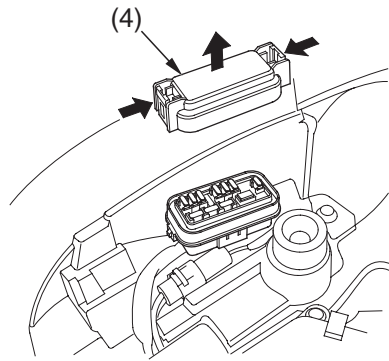


## If a Fuse Blows

### Main Fuse Access

1. To prevent an accidental short circuit, turn the ignition switch OFF (  $\bigcirc$  ) before checking or replacing the fuses.
2. Remove the seat (page 110 ).
3. To access the main fuse (2) (3), remove the fuse box cover (4).

### UNDER SEAT



- (2) main fuse 1                      (4) fuse box cover  
(3) main fuse 2                      (5) spare main fuse

4. Pull the main fuse out.  
If it is blown, install the spare main fuse (5).

### 196 Taking Care of the Unexpected

