

Throttle Lever

The throttle lever (Fig. 2-10) is next to the right handgrip, and it is operated by the thumb. Pressing the lever opens the throttle. When pressure is released, spring tension automatically closes the throttle.

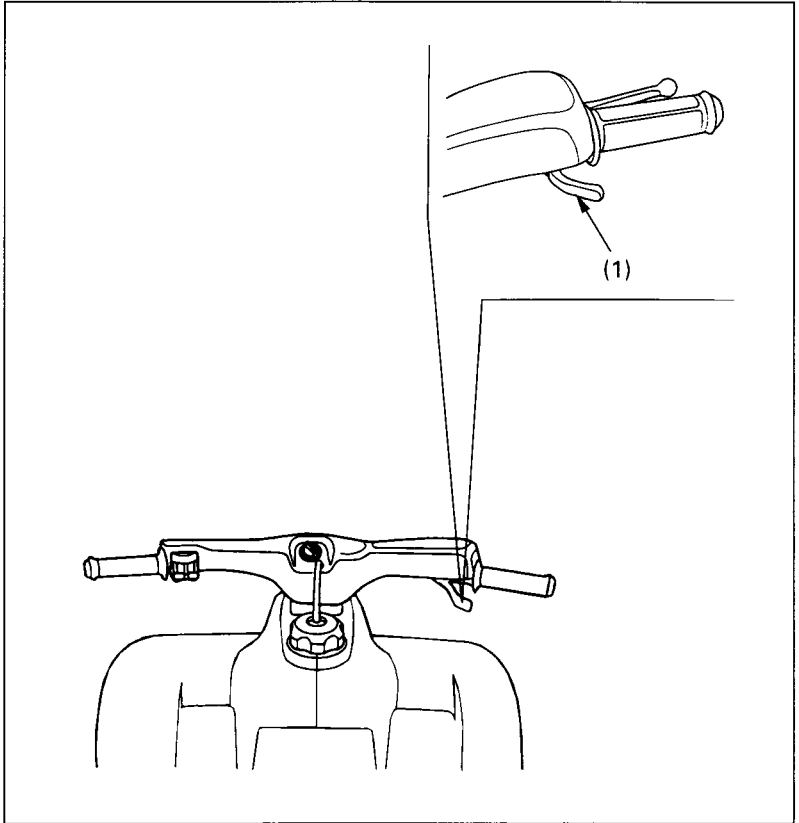


Fig. 2-10

(1) Throttle lever