

3. Slide the rubber sleeve (5) back to expose the throttle cable adjuster (6).
4. Loosen the lock nut (7), then turn the adjuster to obtain the correct free play.
5. Tighten the lock nut and reinstall the sleeve.
6. Install the handlebar cover securely. (Insert the fuel tank cap breather tube in the hole in the handlebar cover securely).

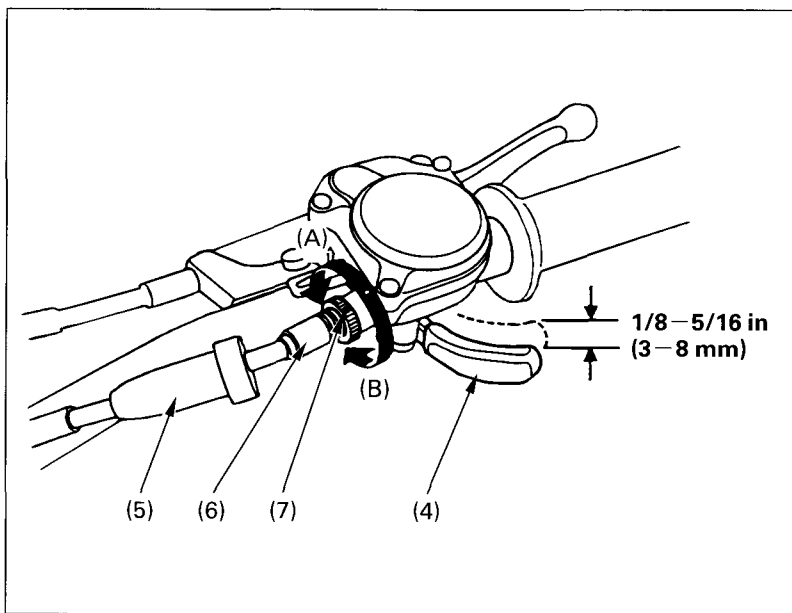


Fig. 4-4

(4) Throttle lever
 (5) Rubber sleeve
 (6) Cable adjuster

(7) Lock nut
 (A) To decrease free play
 (B) To increase free play