

Tire Tread Condition

To check the condition of a tire tread, measure the groove depth (1) (Fig. 4-28) in the center of the tire, or check the wear indicator (2).

The minimum tread depth is $\frac{3}{16}$ in (4 mm). When the tread depth is less than recommended, the tire should be replaced.

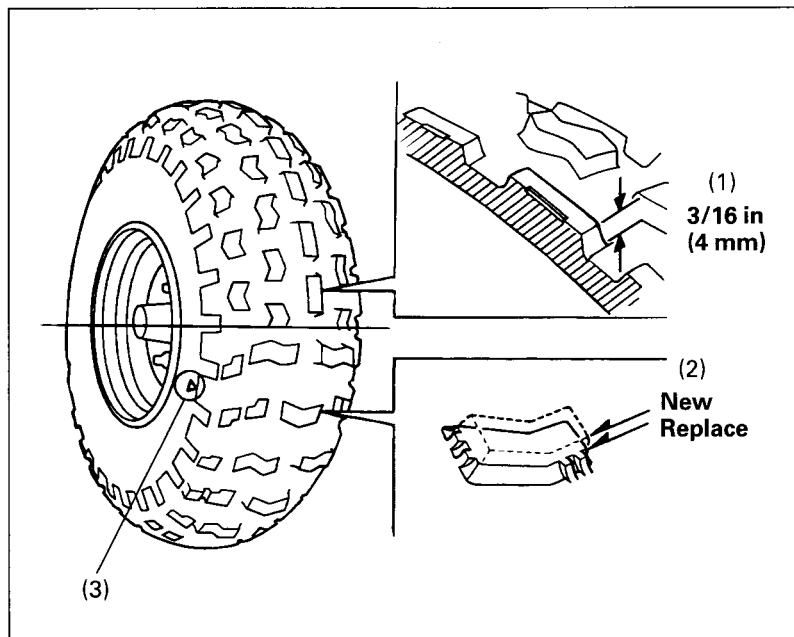


Fig. 4-28 (1) Groove depth
(2) Wear indicator

(3) Wear indicator location
mark