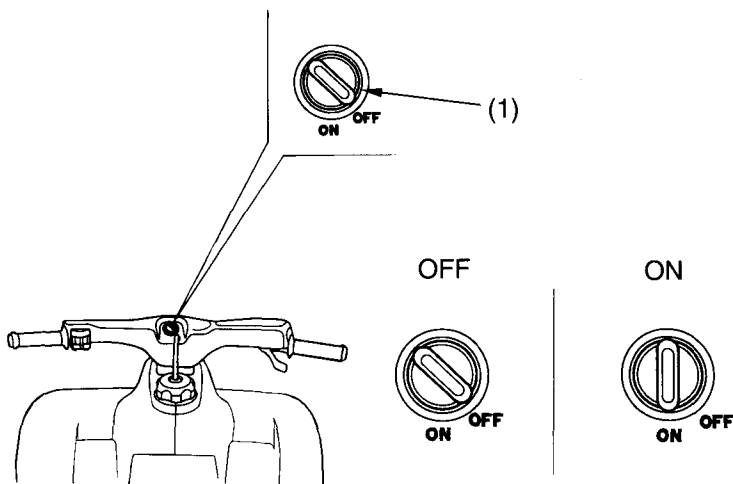


# Operating Control

## Ignition Switch

The ignition switch is used for starting and stopping the engine (page 55 ). Insert the key and turn it to the right for the ON position.



(1) ignition switch

Key Position	Function
ON	Electrical circuits on.
OFF	With the engine stop switch at RUN and the transmission in neutral, the engine can be started.