

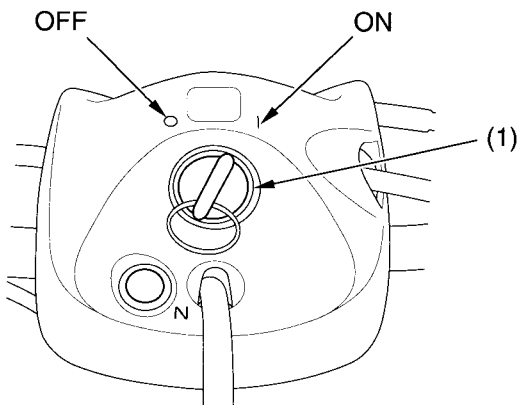
# Operating Controls

## Ignition Switch

The ignition switch ( 1 ) is used for starting and stopping the engine (page 55 ). Insert the key and turn it to the right for the ON ( | ) position.

Key Position	Function
ON (   )	Electrical circuits on.
OFF ( O )	No electrical circuits function.

### CENTER OF HANDLEBAR



(1) ignition switch

| ON  
O OFF