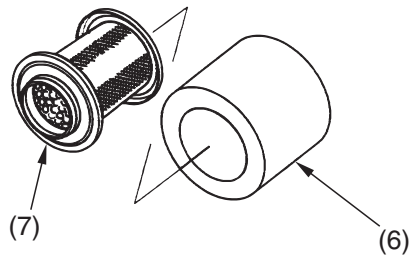
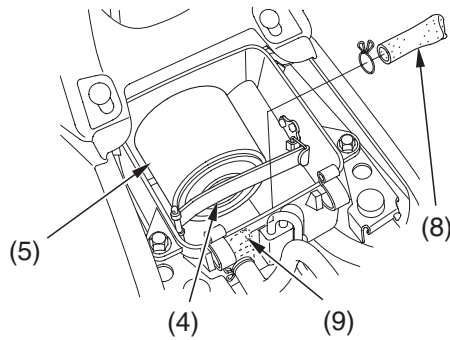




Air Cleaner

5. Remove the air cleaner (6) from the air cleaner body (7).
6. Remove the sub air cleaner (8) from the air cleaner joint (9).
7. Gently wash the air cleaner and sub air cleaner in clean, non-flammable (high flash point) solvent such as kerosene—not gasoline. After cleaning, gently squeeze out the remaining solvent. Avoid twisting or wringing the air cleaner. This can tear the foam.

UNDER SEAT



- | | |
|--------------------------|-----------------------|
| (4) set plate | (7) air cleaner body |
| (5) air cleaner assembly | (8) sub air cleaner |
| (6) air cleaner | (9) air cleaner joint |

(cont'd)

