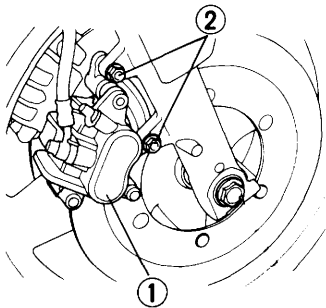


WHEEL REMOVAL

(Refer to maintenance precautions on page 56).



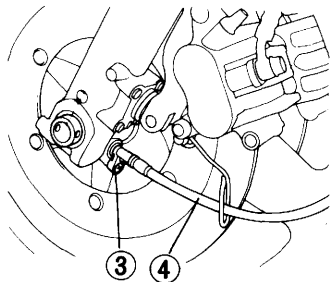
- (1) Brake caliper assembly
- (2) Fixing bolts

Front Wheel Removal

1. Raise the front wheel off the ground by placing a support block under the engine.
2. Remove the right caliper assembly (1) from the fork leg by removing the fixing bolts (2).

CAUTION:

- * To avoid damage to the brake hose, support the caliper assembly so that it doesn't hang from the hose. Do not twist the brake hose.



- (3) Cable set screw
- (4) Speedometer cable