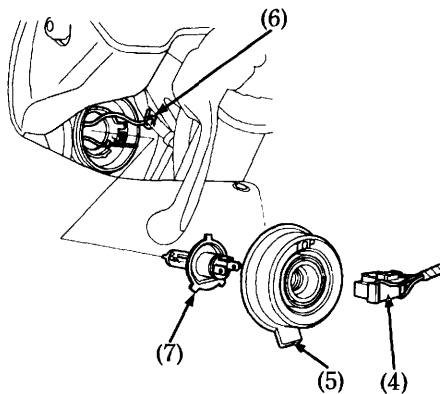


3. Pull off the socket (4) without turning.
4. Remove the seat rubber (5).
5. Remove the bulb (7) while pressing down on the pin (6).
6. Pull out the bulb (7) without turning.
7. Install a new bulb in the reverse order of removal.

**NOTE:**

- \* Do not use bulbs other than that specified.
- \* After installing a new bulb, check that the light operates properly.



(4) Socket  
(5) Seat rubber

(6) Pin  
(7) Bulb