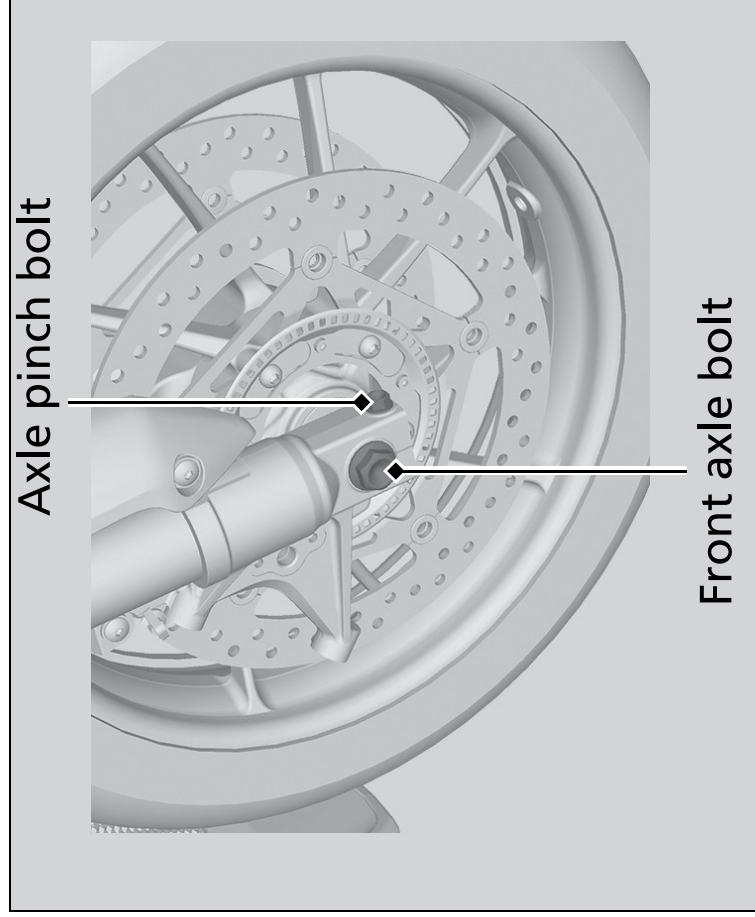


Tyre Puncture ► Removing Wheels

6. Remove the front axle bolt.
7. Loosen the right axle pinch bolt.
8. Support your motorcycle securely and raise the front wheel off the ground using a maintenance stand or a hoist.



9. Loosen the left axle pinch bolt.
10. On the left side, withdraw the front axle shaft, and remove the side collars and wheel.

