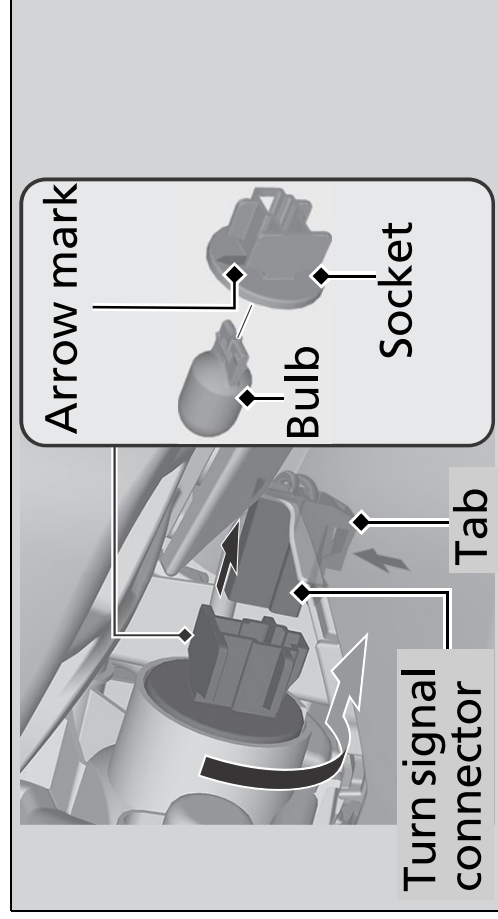


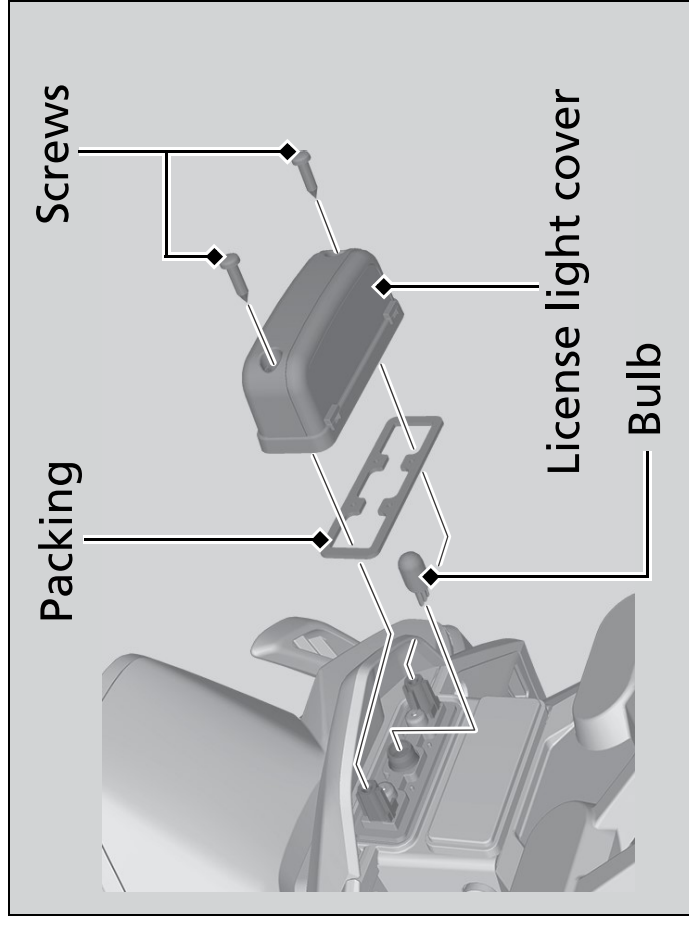
Electrical Trouble ► Burned-out Light Bulb

5. Disconnect the turn signal connector while pressing the tab.
6. Turn the socket counterclockwise and pull it out.
7. Pull the bulb out of the socket without turning it.
8. Install a new bulb and parts in the reverse order of removal.
 - Install the socket with its arrow mark facing up, then turn it clockwise to lock.
 - Use only the amber bulb.



License Plate Light Bulb

1. Remove the screws.
2. Remove the license light cover and license light cover packing.
3. Pull out the bulb without turning.



4. Install a new bulb and parts in the reverse order of removal.