

MAJOR COMPONENTS (Information you need to operate this motorcycle)

▲WARNING

* If the Pre-ride Inspection (page 57) is not performed, severe personal injury or vehicle damage may result.

SUSPENSION

Front Suspension

Spring preload:

Adjust the spring preload by turning the preload adjuster (1) using the No.2 screwdriver and changing the height. The standard position is in the third position from the top.

Make sure that both fork legs are adjusted to the same position.

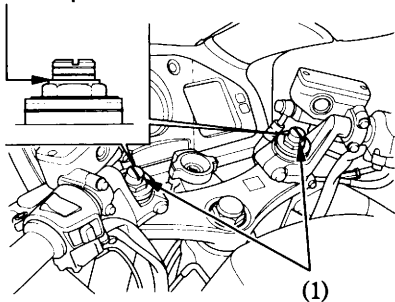
To reduce (SOFT) :

Turn the adjuster counterclockwise toward SOFT for a light load and smooth road condition.

To increase (HARD) :

Turn the adjuster clockwise toward HARD for a firmer ride and rough road condition.

Standard position



(1) Adjuster