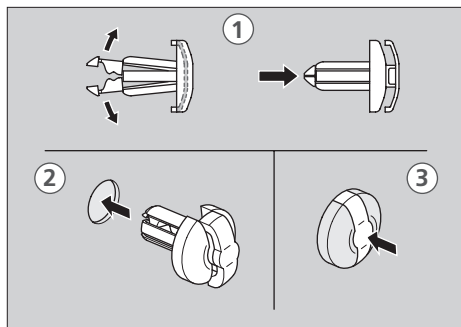


Removing & Installing Body Components ► Clip C

Installation

1. Slightly open the retaining pawls and then push them out.
2. Insert the clip into the hole.
3. Lightly press down on the centre pin to lock the clip.

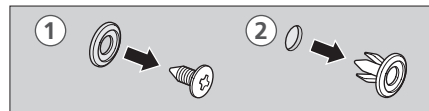


Clip C

The clip C must be removed to remove the left rear cowl.

Removal

1. Remove the pin by a Phillips screwdriver.
2. Pull the clip out of the hole.



Installation

1. Insert the clip into the hole.
2. Push the pin in.

