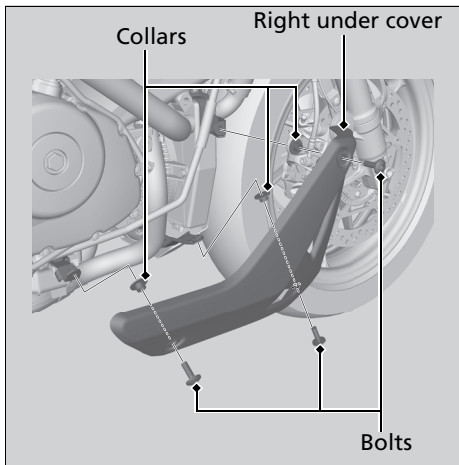


Removing & Installing Body Components ► Right Under Cover

Right Under Cover



The right under cover must be removed to replace the engine oil filter.

Removal

1. Remove the bolts and collars.
2. Remove the right under cover.

Installation

Install the parts in the reverse order of removal.