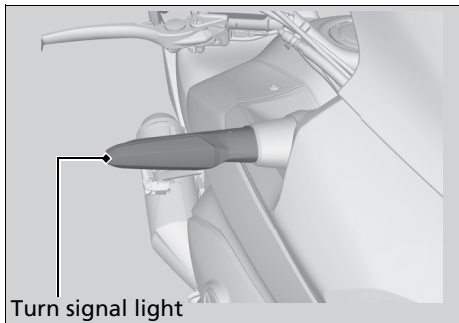


Front/Rear Turn Signal Light

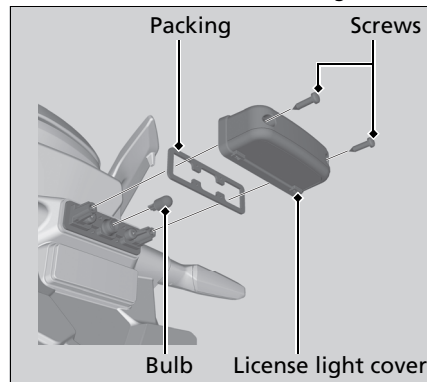


The front and rear turn signal lights use several LEDs.
If there is a LED which is not turned on, see your dealer for this service.

Electrical Trouble ▶ Burned-out Light Bulb

License Plate Light

1. Remove the screws.
2. Remove the license light cover and license light cover packing.
3. Pull out the bulb without turning.



4. Install a new bulb and parts in the reverse order of removal.