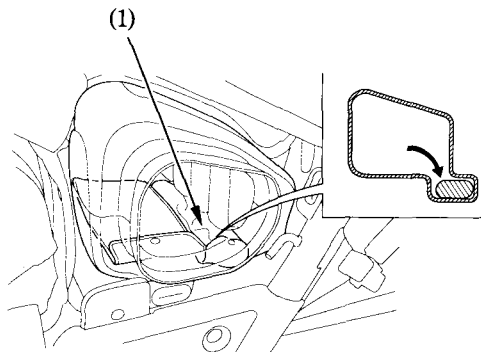


TOOL KIT

The tool kit (1) is in the storage compartment behind the left side cover (page 36).

Some roadside repairs, minor adjustments and parts replacement can be performed with the tools contained in the kit.

- 8 x 12 mm open end wrench
- 10 x 12 mm open end wrench
- 14 x 17 mm open end wrench
- 5 mm hex wrench
- 24 mm box end wrench
- Spark plug wrench
- No. 2 screwdriver
- No. 2 Phillips screwdriver
- Screwdriver grip
- Pin spanner
- Extension bar
- Pliers
- Tool bag



(1) Tool kit