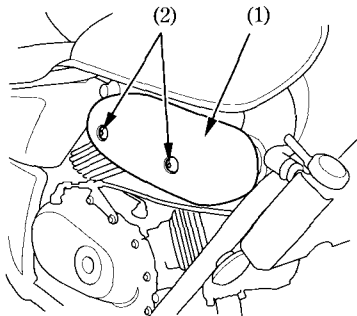


AIR CLEANER

(Refer to the maintenance precautions on page 58).

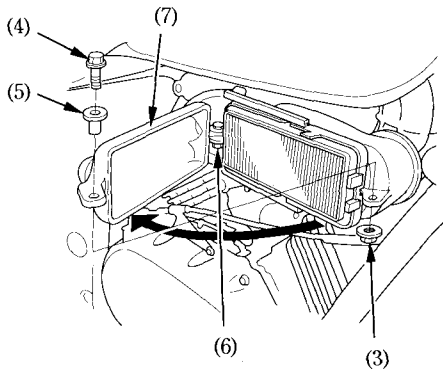
The air cleaner should be serviced at regular intervals (page 52). Service more frequently when riding in unusually wet or dusty areas.

1. Remove the right carburetor side cover (1) by removing the bolts (2).



- (1) Right carburetor side cover
(2) Bolts

2. Remove the nut (3), and pull out the bolt (4) and collar (5).
3. Loosen the nut (6) and open the air cleaner housing cover (7).



- (3) Nut
(4) Bolt
(5) Collar
(6) Nut
(7) Air cleaner housing cover