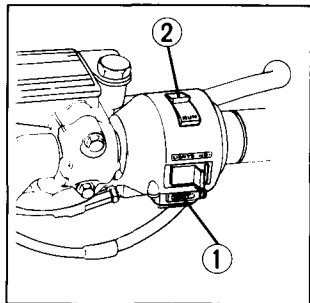


Starter Button

The starter button (1) will operate the starting motor. When you press in the button, the starter cranks the engine. The use of the button is explained on page 25.

Engine Stop Switch

Your motorcycle is equipped with an engine stop switch (2). At the "OFF" position, the ignition circuit is open. The switch should normally be placed at the "RUN" position. Do not use this switch except to stop the engine in an emergency.



Headlight Dimmer Switch (1)

Push the dimmer switch to "H" to select high beam or to "Lo" to select low beam.

Passing Light Control Switch (2)

When this switch is pressed, the headlight flashes on to signal approaching cars or when passing.

Turn Signal Switch (3)

Move to L to signal a left turn, R to signal a right turn. Press to turn signal off.

Horn Button (4)

When this button is pressed the horn sounds.

