

ENGINE OIL

Engine Oil Level Check

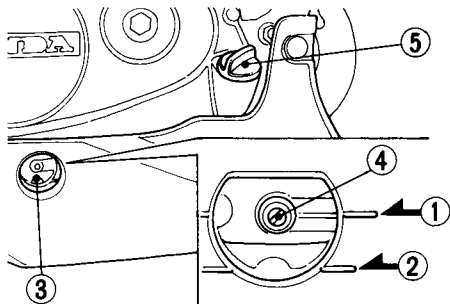
Check the engine oil level each day before riding the motorcycle.

The level must be maintained between the upper (1) and lower (2) level marks in the inspection window (3).

1. Start the engine and let it idle for a few minutes. Make sure the red oil pressure warning light goes off. If the light remains on, stop the engine immediately.
2. Stop the engine and set the motorcycle upright on firm, level ground.
3. Check that the oil level is maintained between the upper (1) and lower (2) level marks in the inspection window (3). If the window is dirty, clean it by turning the wiper (4) with a screwdriver.
4. If required, remove the oil filler cap (5) and add the specified oil up to the upper level mark. Do not overfill.
5. Reinstall the filler cap. Check for oil leaks.

CAUTION:

* *Running the engine with insufficient oil can cause serious engine damage.*



- (1) Upper level mark (4) Wiper
(2) Lower level mark (5) Oil filler cap
(3) Inspection window