

LEFT HANDLEBAR CONTROLS

Headlight Dimmer Switch

Push the dimmer switch (1) to “HI” to select high beam or to “LO” to select low beam.

Passing Light Control Switch

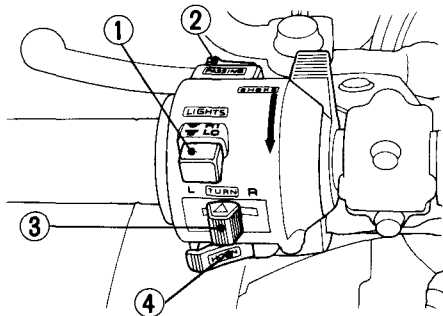
When this switch (2) is pressed, the headlight flashes on to signal approaching cars or when passing.

Turn Signal Switch (3)

Move to L to signal a left turn, R to signal a right turn. Press to turn signal off.

Horn Button

When this button (4) is pressed the horn sounds.



- (1) Headlight dimmer switch
- (2) Passing light control switch
- (3) Turn signal switch
- (4) Horn button