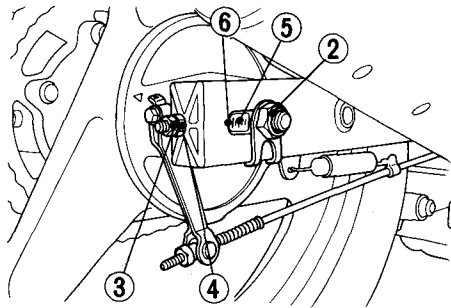


Adjustment:

Drive chain slack should be checked and adjusted, if necessary, every 1,000 km (600 miles). When operated at sustained high speeds or under conditions of frequent rapid acceleration, the chain may require more frequent adjustment.



(2) Axle nut
(3) Lock nut
(4) Drive chain
adjusting nut

(5) Index marks
(6) Rear edge of
adjusting slot

If the drive chain requires adjustment, the procedure is as follows:

1. Place the motorcycle on its center stand with the transmission in neutral and the ignition switch off.
2. Loosen the axle nut (2).
3. Loosen the lock nuts (3) on both adjusting nuts (4).
4. Turn both adjusting nuts an equal number of turns until the correct drive chain slack is obtained. Turn the adjusting nuts clockwise to tighten the chain, or counterclockwise to provide more slack. Adjust to provide 15—25 mm (5/8—1 in) of slack at a point midway between the drive sprocket and the rear wheel sprocket. Rotate the rear wheel and recheck slack at other sections of the chain.
5. Check that the rear axle is aligned correctly by making sure the chain adjuster index marks (5) align with the rear edge (6) of the adjusting slots.