

FUSE REPLACEMENT

(Refer to Maintenance Precautions on page 58).

The main fuse (1), located near the battery, is 30A. The spare main fuse (3) is attached to the battery strap. The fuse box (9) is located between the handlebars. The specified fuses are 10A and 15A.

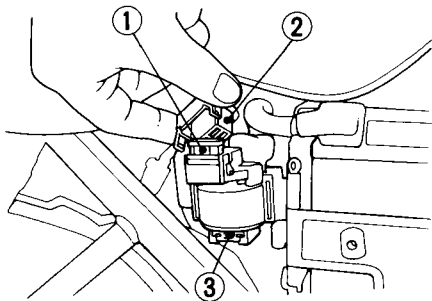
When frequent fuse failure occurs, it usually indicates a short circuit or an overload in the electrical system. See your authorized Honda dealer for repair.

CAUTION:

* *Turn the ignition switch OFF before checking or replacing fuses to prevent accidental short-circuiting.*

To replace the main fuse (1), remove the right side cover, disconnect the wire coupler (2) and remove the old fuse.

Install the new fuse, and reconnect the wire coupler.



(1) Main fuse
(2) Coupler

(3) Spare main fuse