

BRAKES

Front Brake

This motorcycle has hydraulic disc front brakes. As the brake pads wear, brake fluid level drops, automatically compensating for wear.

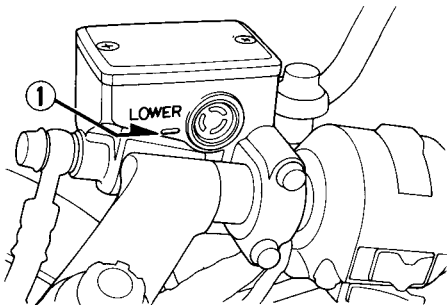
There are no adjustments to perform, but fluid level and pad wear must be inspected periodically. The system must be inspected frequently to ensure there are no fluid leaks. If the control lever free travel becomes excessive and the brake pads are not worn beyond the recommended limit (page 75), there is probably air in the brake system and it must be bled. See your authorized Honda dealer for this service.

Brake Fluid Level:

▲ WARNING

- * **Brake fluid may cause irritation. Avoid contact with skin or eyes. In case of contact, flush thoroughly with water and call a doctor if your eyes were exposed.**

Check that the fluid level is above the LOWER level mark (1) with the motorcycle in an upright position.



(1) LOWER level mark