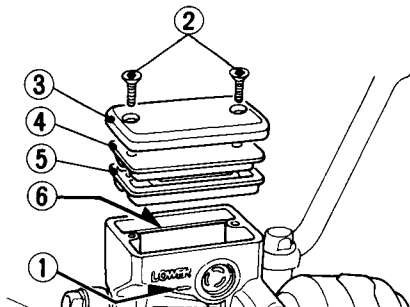


Brake fluid must be added to the reservoir whenever the fluid level begins to reach the LOWER level mark (1). Remove the screws (2),



- (1) LOWER level mark (4) Diaphragm plate  
(2) Screws (5) Diaphragm  
(3) Reservoir cover (6) Upper level mark

reservoir cover (3), diaphragm plate (4) and diaphragm (5). Fill the reservoir with DOT 3 or DOT 4 BRAKE FLUID from a sealed container up to the upper level mark (6). Reinstall the diaphragm, diaphragm plate and cover. Tighten the screws securely.

**CAUTION:**

- \* Handle brake fluid with care because it can damage plastic and painted surfaces.
- \* When adding brake fluid, be sure the reservoir is horizontal before the cap is removed or brake fluid may spill out.
- \* Use only DOT 3 or 4 brake fluid from a sealed container.
- \* Never allow contaminants such as dirt or water to enter the brake fluid reservoir.

Other Checks:

Make sure there are no fluid leaks. Check for deterioration or cracks in the hoses and fittings.