

Make free play adjustments by turning the adjusting nut (4) at the brake arm.

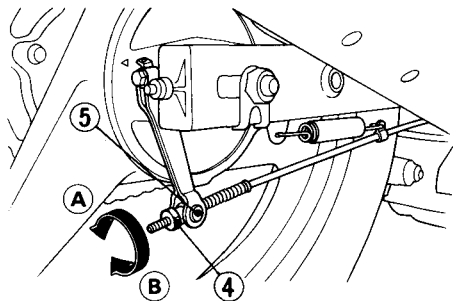
NOTE:

- * Make sure the cut-out on the adjusting nut is seated on the brake arm pin (5) after making final free play adjustment.
- * If proper adjustment cannot be obtained by this method, see your authorized Honda dealer.

4. Apply brake several times and check for free wheel rotation when released.

Other Checks:

Make sure the brake rod, brake arm, spring and fasteners are in good condition.



- (4) Adjusting nut
- (5) Arm pin

- (A) Decrease free play
- (B) Increase free play