

Engine Oil and Filter

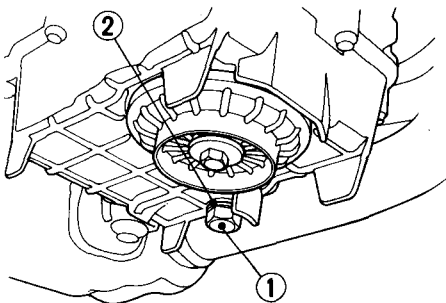
Engine oil quality is the chief factor affecting engine service life. Change the engine oil as specified in the maintenance schedule (page 50).

NOTE:

- * Change the engine oil with the engine at normal operating temperature and the motorcycle on its center stand to assure complete and rapid draining.

CAUTION:

- * To prevent oil leaks and filter



(1) Oil drain plug

(2) Sealing washer

damage, never support the engine on the oil filter.

1. To drain the oil, remove the oil filler cap and oil drain plug (1) and sealing washer (2).

⚠ WARNING

- * **A warmed-up engine and the oil in it are hot; be careful not to burn yourself.**